

Technical Specification

- Working voltage : 230 V~ 50/60 Hz - resolution : 1 unit
- Update of the display: 3 / seconds
- Input impedance > 1 MV for the voltmeter SM501
- Isolating resistance : 10 MV
- Maximum voltage: 660 V - number of digits : 3

Connection

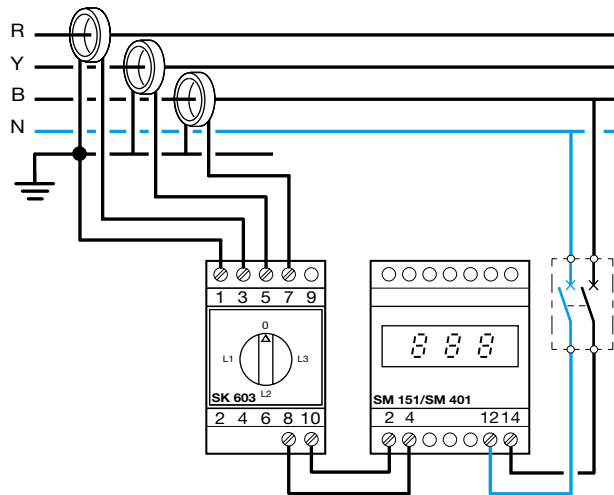
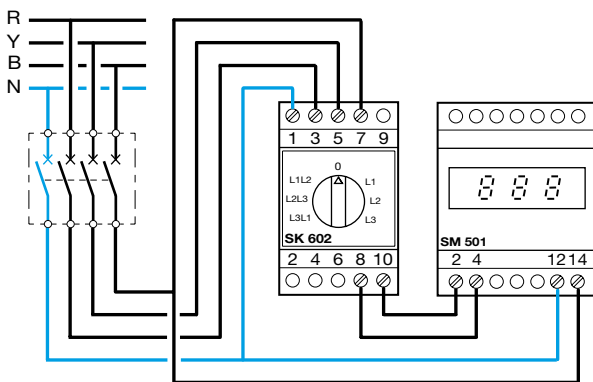
- Flexible: 6mm²
- Rigid: 10mm²

Environment

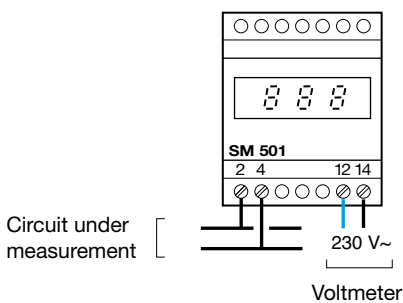
- Working temperature: -10 to +55 °C
- Storage temperature : -40 to +70 °C

Cat ref.	Product	Range	Consump.	Accuracy %	Ref Temp °C	Accuracy Variation °C	Maximum Continuous	Momentary Maximum	Frequency Hz	Isolating Voltage
SM501	Voltmeter	500V	≤4.5 VA	±1	23 ± 1°C	± 0.03% / °C	1.2 Un	2 Un / 5 sec.	45-65	2kV/50Hz - 1 min
SM151 SM401	Ammeter with CT	0-150A 0-400A	≤1 VA	±1	23 ± 1°C	± 0.03% / °C	2 In	10 In / 5 sec.	45-65	2kV/50Hz - 1 min

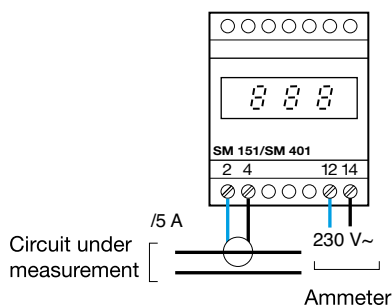
Electrical Connection



Electrical Connection SM501



SM151, SM401



Hours Counter Technical Specifications

Electrical Characteristics

- Working voltage: 230V~

Electrical Connection

- Connection in parallel on the command of the receiver (contactor coil)

Electrical Connection

