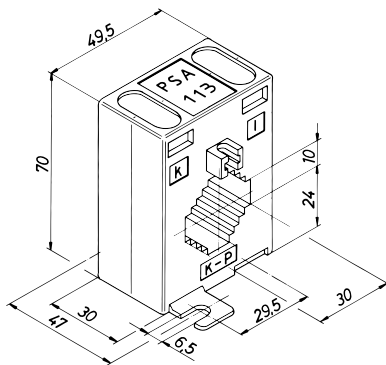


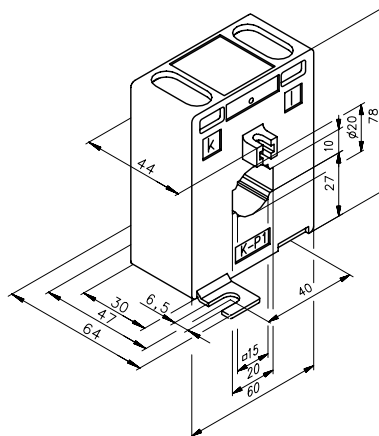
Technical Data (to EN/IEC60044-1)

		Prim. [A]	Sec. [A]	Power [VA]	Accuracy class	Dimensions	Max. Busbar and cable Size	
Primary rated current	50 A - 2.000 A							
Rated secondary current	5 A	SRA01005	100	5	2.5	1	70 x 49,5 x 30 mm	30 x 10 mm 25 x 15 mm 20 x 20 mm
Rated frequency	50 - 60 Hz							
Highest voltage for equipment U_m	720 V	SRA01505	150	5	2.5	1		
Rated power-frequency withstand voltage (r.m.s.)	3 kV	SRA02005	200	5	2.5	1		
Instrument security factor (FS)	FS 5	SRA02505	250	5	2.5	1		
Rated continuous thermal current	1,2 x I_n	SRC04005	400	5	5	1		
current rating	120 %	SRC06005	600	5	5	1		
Rated short time thermal current	$I_{th} = 60 \times I_n$ (max 50 kA)	SRA00505	50	5	1.5	1	78 x 60 x 30 mm	20 x 10 mm 15 x 15 mm Ø 20 mm
Rated dynamic current:	$I_{dyn} = 2,5 \times I_{th}$ (max 120 kA)	SRI03005	300	5	5	1	78 x 60 x 30 mm	40 x 12 mm Ø 28 mm
Permissible ambient temperature	-40 °C to + 40 °C	SRD08005	800	5	5	1	108 x 85 x 30 mm	60 x 10 mm 50 x 30 mm Ø 45 mm
Class of insulation in accordance with IEC 60085	E	SRD10005	1000	5	5	1		
Degree of protection DIN/EN 60529 / VDE 0470 T1	IP 20	SRD15005	1500	5	5	1		
Recommended tightening torque secondary terminals	1,5 - 2 Nm	SRE20005	2000	5	15	1	122 x 100 x 40 mm	80 x 10 mm 60 x 30 mm Ø 60 mm

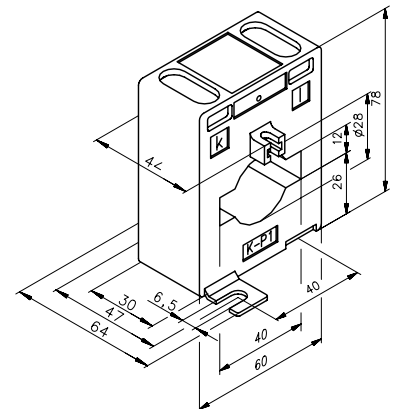
SRA01005, SRA01505, SRA02005, SRA02505, SRC04005, SRC06005



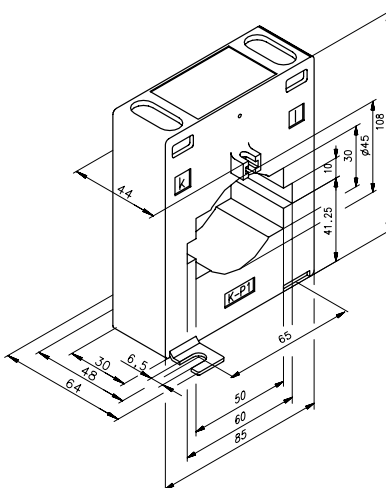
SRA00505



SRI03005



SRD08005, SRD10005, SRD15005



SRE20005

